

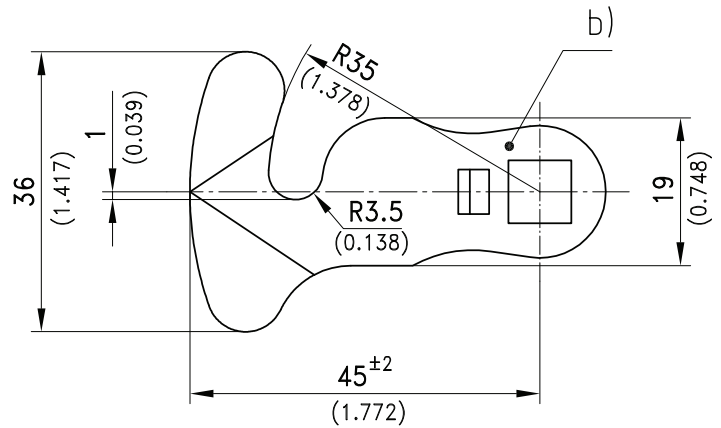
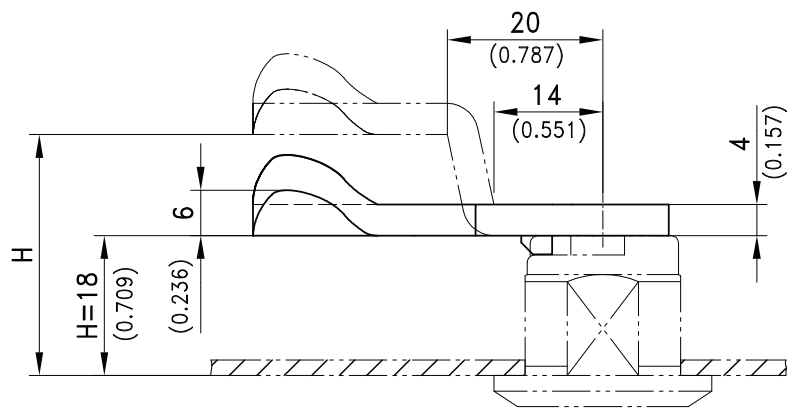
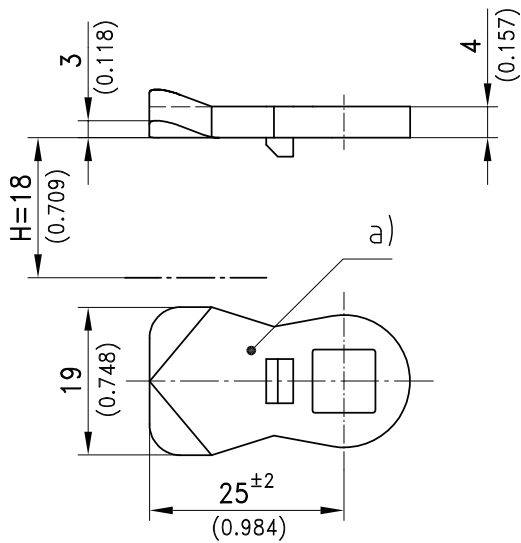
1-261 Cam with Ramp

Special cams for replacement of Product System 1-102 cams



Material:

- Cams: Steel, Zinc Plated



		Part No.
a)	Cam with ramp $H=18$, $L=25$	200-5118.00-00000
b)	Cam with ramp	
		H
		mm / inch
	18 / 0.709	200-4018.00-00000
	22 / 0.866	200-4022.00-00000

The special shape of this cam allows installation of a complete pre-assembled Quarter-Turn. Also the nut slides over the cam.

Other dimensions of cams, minimum order quantity and delivery times on request.